

**Series 4, Wall-mounted cooker hood,
60 cm, Black
DWB67BK61T**



DWZ9HB1U2 Recirculating kit

**The wall-mounted chimney hood: mount it
on the wall, giving you complete freedom
in your kitchen planning.**

- **Converts to Recirculation Mode with Accessory Kit (Separate Purchase Required)**
- **Absorbs odors with Charcoal Replacement Filters (Available for sale)**
- **Ducted or Non-ducted Options**

Color chimney: Stainless steel
 Typology: Wall-mounted
 Length electrical supply cord: 200.0 cm
 Height of the chimney: 550-725/550-830 mm
 Height of product, without chimney: 53 mm
 Net weight: 15.0 kg
 Type of control: Electronic
 Number of speed settings: 3-stages + intensive setting
 Max. air extraction: 582 m³/h
 Boost position output recirculating: 508.0 m³/h
 Max. air recirculation: 480 m³/h
 Boost position air extraction: 779 m³/h
 Number of lights: 2
 Noise level: 66 dB(A) re 1 pW
 Diameter of air outlet: 120 / 150 mm
 Grease filter material: Washable aluminium
 Odour filter: No
 Operating Mode: Exhaust / Recirculation (Accessory available separately)
 Optional accessories: DWZ9HB1U2
 Type of lamps used: LED
 Total power of the lamps: 6 W
 Grease filter type: Kassette
 Clean filter reminders: No
 Connection rating: 281 W
 Voltage: 220-240 V
 Frequency: 50-60 Hz
 Plug type: No plug (electrical connection by electrician)
 Installation typology: Wall-mounted
 Material body: Stainless steel
 Plug type: No plug (electrical connection by electrician)
 Dimensions of the product, with chimney (if exists) (in): x x
 Dimensions of the packed product: 22.63 x 28.54 x 19.09
 Net weight: 33.000 lbs
 Gross weight: 44.000 lbs
 Motor location: Integrated motor in hood chimney
 No-return airflow flap: Yes
 Length electrical supply cord: 200.0 cm
 Dimensions of the product, with chimney (if exists): 550-830 x 598.0 x 500.0 mm
 Dimensions of the packed product (HxWxD): 575 x 725 x 485 mm
 Net weight: 15.0 kg
 Gross weight: 19.9 kg



**Series 4, Wall-mounted cooker hood,
60 cm, Black
DWB67BK61T**

**The wall-mounted chimney hood: mount it
on the wall, giving you complete freedom
in your kitchen planning.**

Variant

- Wall mounted hood
- Pyramidal design

Design

- Push button controls with Electronic display
- Metal grease filter, dishwasher safe

Technical information

- 3 speeds plus intensive setting
- Extraction rate exhaust air according to EN 61591 max. 328 m³/h
- 2 x LED spot 2,15W (low volt)
- Suitable for ducted or re-circulated extraction
- For recirculated extraction standard recirculation kit (accessory) needed

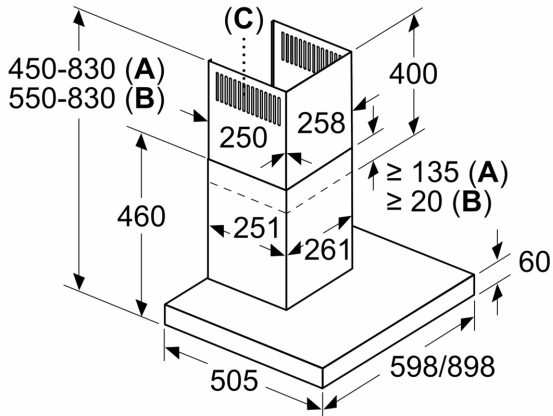
Comfort

Measures:

- 90 cm wide
- Dimensions exhaust air (HxWxD): 450-830 x 598 x 500 mm
- Dimensions recirculating (HxWxD): 550-830 x 598 x 500 mm
- Diameter pipe Ø 150 mm (Ø 120 mm enclosed)

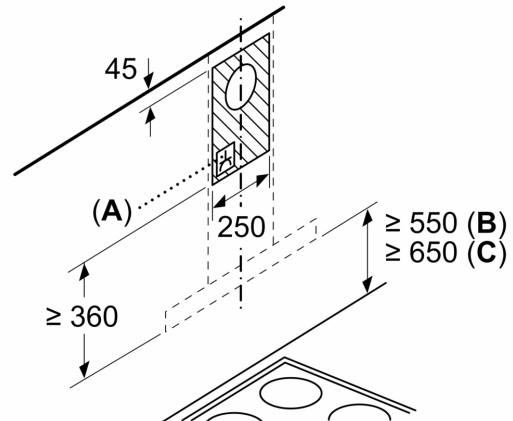
**Series 4, Wall-mounted cooker hood,
60 cm, Black
DWB67BK61T**

Measurements in mm



- A:** Exhaust air
- B:** Circulated air
- C:** Air outlet – slots for exhaust air to be mounted facing down

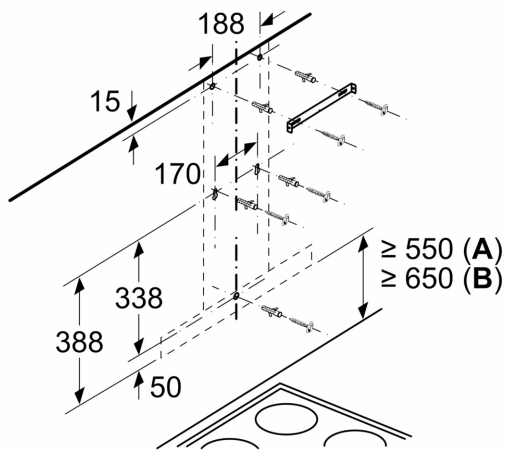
Measurements in mm



- A:** Socket
From upper edge of pan support

- B:** Electric
- C:** Gas

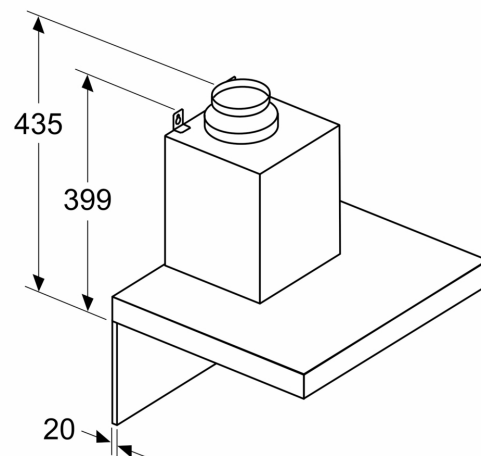
Measurements in mm



From upper edge of pan support

- A:** Electric
- B:** Gas

Measurements in mm



If a back panel is used, the design of the appliance must be considered